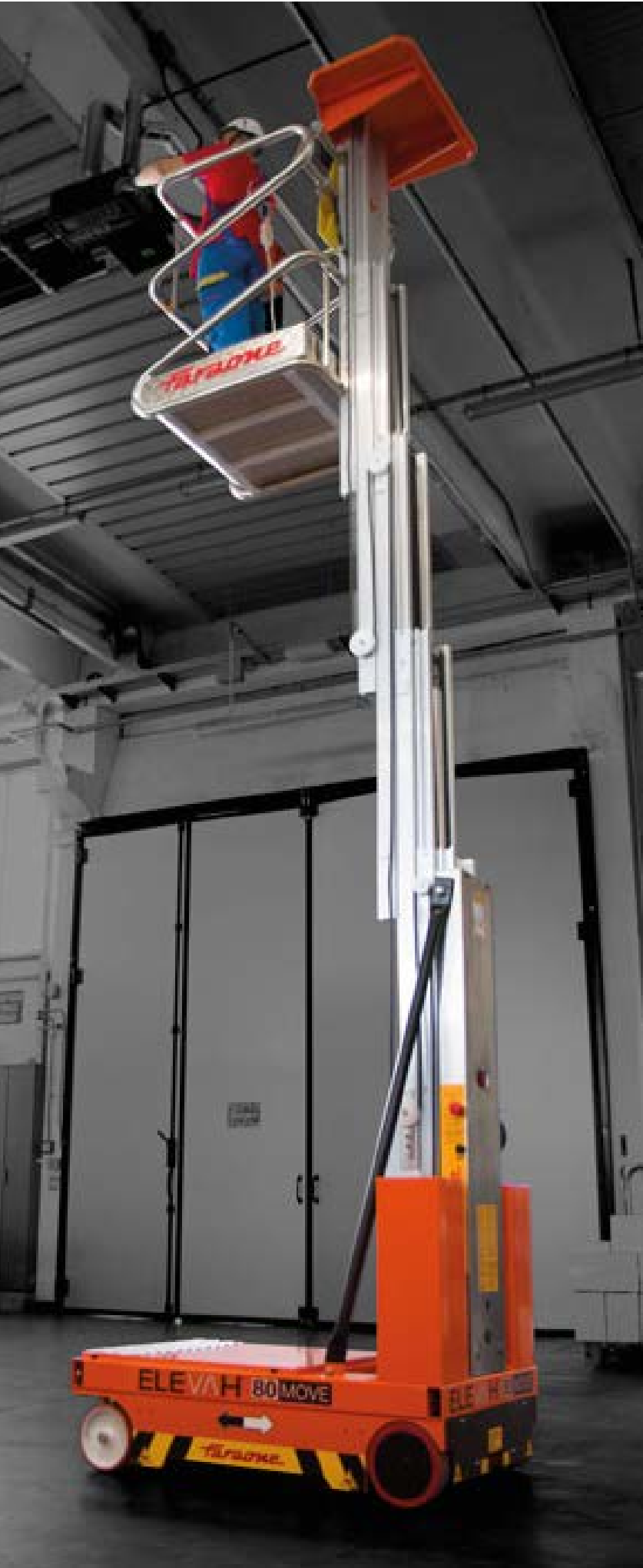


ELEVAH® 80-MOVE



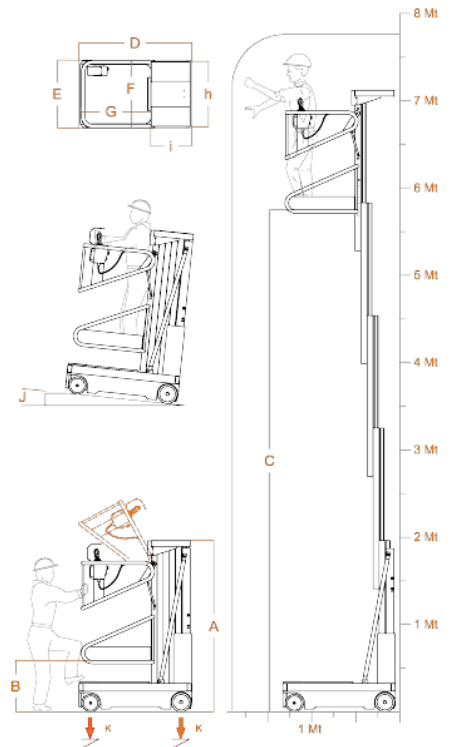
ELEVAH[®] 80-65 MOVE

Max. working height		7,75 m
Max capacity		200 kg
Number of people		1
Use		Internal
A	Closed machine height	2000 mm
B	Minimum platform height	600 mm
C	Maximum platform height	5750 mm
D	Base overall dimensions	1280 mm
E		780 mm
F	Cage dimensions	770 mm
G		790 mm
Machine weight		750 kg
H	Fixed picking tray dimensions	740 mm
I		440 mm
Fixed picking tray capacity		20 kg
Drive wheels dimension		Ø 220 x 65 mm
Swivel wheels dimensions		Ø 200 x 50 mm



PERFORMANCE

Power supply		Electrical
Batteries		Lead-Acid Batteries 12V 105 Ah
Battery charger		110V – 220V 50/60HZ
J	Maximum climbing ability	15 %
Climbing ability at height		2,5 %
Internal turning radius		0
External turning radius		1095 mm
Max. speed (rising)		0,20 m/s
Max. speed (descending)		0,20 m/s
Maximum shifting speed		4 Km/h
Maximum shifting speed at height		1 Km/h
K	Maximum pressure for wheel at full load*	3,3 kN
Work cycles (with fresh batteries)**		130



* Maximum pressure whereas the weight of the platform plus the maximum load on the basket are completely distributed on one side of the platform (totally asymmetric load).

** By work cycle we mean a self-propelled movement of 20 m with a full ascent to and descent from the maximum height and with adjustment of the loading platform.



Compliant with **EN280** rule.
Approved for indoor use or outdoor use in the absence of wind.