

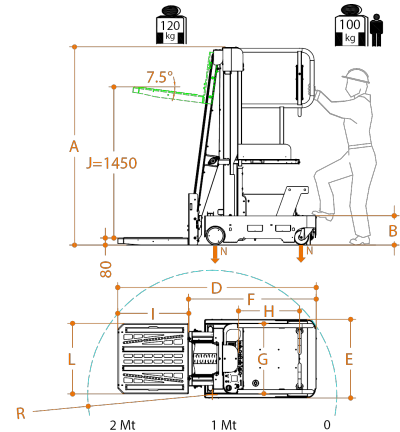
ELEVAH E6 MOVE T.FL

Max. working height	6 m
Max capacity	220 kg
Number of people	1
Use	Internal - External
A Closed machine height	1970 mm
B Minimum platform height	289 mm
C Maximum platform height	3980 mm
D	1960 mm
E Base overall dimensions	780 mm
F	1240 mm
G Cage dimensions	685 mm
H	600 mm
Machine weight	900 kg
Drive wheels dimension	Ø 186 x 60 mm
Swivel wheels dimensions	Ø 150 x 40 mm



PICKING PLATFORM

Adjustment	Electrical
J Stroke	1450 mm
Min. height from the ground	80 mm
Maximum height from the ground	4700 mm
I Dimensions	700 mm
L	700 mm
Capacity	120 kg



PERFORMANCE

Power supply	24 V
Batteries	Lead-Acid Batteries 12V 105 Ah
Battery charger	110V – 220V
Climbing ability at height	2,5%
M Maximum climbing ability	15%
Internal turning radius	0
External turning radius	1250 mm
Max. speed (rising – descending)	0,2 m/s
Maximum translation speed	5,5 km/h
Maximum translation speed at height	1 km/h
N Maximum pressure for wheel at full load*	3,9 kN
Work cycles (with fresh batteries) **	100

* Maximum pressure whereas the weight of the platform plus the maximum load on the basket are completely distributed on one side of the platform (totally asymmetric load).

** By work cycle we mean a self-propelled movement of 20 m with a full ascent to and descent from the maximum height and with adjustment of the loading platform.

CE Complies with European regulations for man-up forklift trucks. UNI EN ISO 3691-1.

