

# ELEVAH E6 TIRES

Max. working height	6 m
Max capacity	220 kg
Number of people	1
Use	Internal - External
<b>A</b> Closed machine height	1970 mm
<b>B</b> Minimum platform height	289 mm
<b>C</b> Maximum platform height	3980 mm
<b>D</b>	1860 mm
<b>E</b> Base overall dimensions	780 mm
<b>F</b>	1240 mm
<b>G</b> Cage dimensions	685 mm
<b>H</b>	600 mm
Machine weight	880 kg
Drive wheels dimension	Ø 186 x 60 mm
Swivel wheels dimensions	Ø 150 x 40 mm

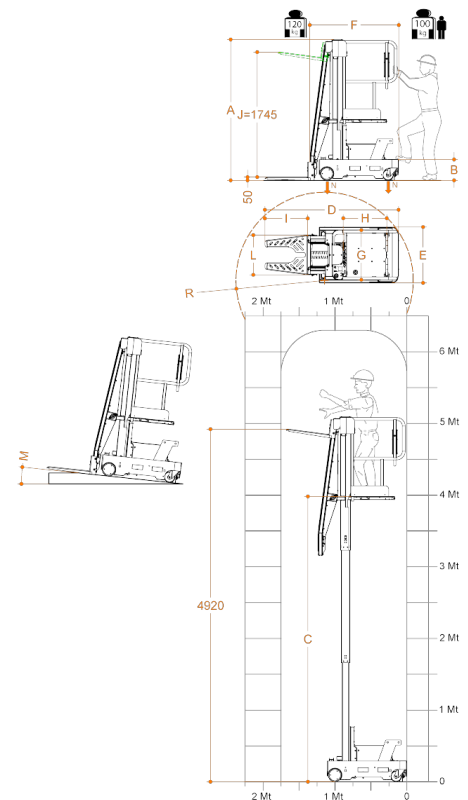


## TIRES TOOL

<b>I</b>	Tires forks	595 mm
<b>L</b>		545 mm
Adjustment		Electrical
<b>J</b> Stroke		1745 mm
Min. height from the ground		50 mm
Maximum height from the ground		4920 mm
Capacity		120 kg

## PERFORMANCE

Power supply	24V
Batteries	Lead-Acid Batteries 12V 105 Ah
Battery charger	110V – 220V
<b>M</b> Maximum climbing ability	15%
Climbing ability at height	2,5%
Internal turning radius	0
External turning radius	1250 mm
Max. speed (rising – descending)	0,2 m/s
Maximum translation speed	5,5 km/h
Maximum translation speed at height	1 km/h
<b>N</b> Maximum pressure for wheel at full load*	3,8 kN
Work cycles (with fresh batteries) **	100



\* Maximum pressure whereas the weight of the platform plus the maximum load on the basket are completely distributed on one side of the platform (totally asymmetric load).

\*\* By work cycle we mean a self-propelled movement of 20 m with a full ascent to and descent from the maximum height and with adjustment of the loading platform.



Complies with European regulations for man-up forklift trucks. UNI EN ISO 3691-1.