

ELEVAH[®] E5 T.F.L.

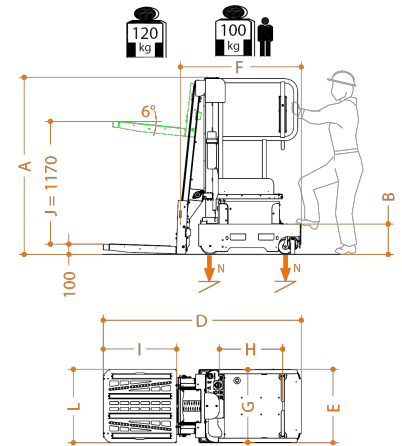


EN 3691-1



ELEVAH® 5 T.FL

Max. working height	5,15 m
Max capacity	220 kg
Number of people	1
Use	Internal - External
A Closed machine height	1690 mm
B Minimum platform height	289 mm
C Maximum platform height	3150 mm
D	1890 mm
E Base overall dimensions	700 mm
F	1160 mm
G Cage dimensions	685 mm
H	600 mm
Machine weight	820 kg
Drive wheels dimension	Ø 186 x 60 mm
Swivel wheels dimensions	Ø 150 x 40 mm



PICKING PLATFORM	
Adjustment	Electrical
J Stroke	1170 mm
Min. height from the ground	100 mm
Maximum height from the ground	3860 mm
I Dimensions	700 mm
L	700 mm
Capacity	120 kg

PERFORMANCE	
Power supply	24 V
Batteries	Lead-Acid Batteries 12V 105 Ah
Battery charger	110V – 220V
Climbing ability at height	2,5%
M Maximum climbing ability	15%
Internal turning radius	0
External turning radius	1025 mm
Max. speed (rising – descending)	0,2 m/s
Maximum translation speed	5,5 km/h
Maximum translation speed at height	1 km/h
N Maximum pressure for wheel at full load*	3,45 kN
Work cycles (with fresh batteries) **	100

* Maximum pressure whereas the weight of the platform plus the maximum load on the basket are completely distributed on one side of the platform (totally asymmetric load).

** By work cycle we mean a self-propelled movement of 20 m with a full ascent to and descent from the maximum height and with adjustment of the loading platform.

CE Complies with European regulations for man-up forklift trucks. UNI EN ISO 3691-1.

