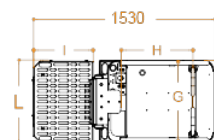
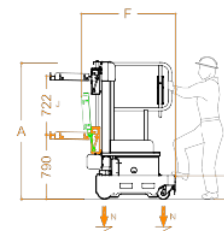


ELEVAH[®] 5 inox



ELEVATOR[®] 5 INOX picking

Max. working height	5,15 m
Max capacity	200 kg
Number of people	1
Use	Internal - External
A Closed machine height	1690 mm
B Min. height from the ground*	289 mm
C Maximum platform height	3150 mm
E Base overall dimensions	700 mm
F	1152 mm
G Cage dimensions	630 mm
H	780 mm
Machine weight	640 kg (With electrical picking platform) 590 kg (With removable picking platform)
Drive wheels dimension	Ø 186 x 60 mm
Swivel wheels dimensions	Ø 150 x 40 mm

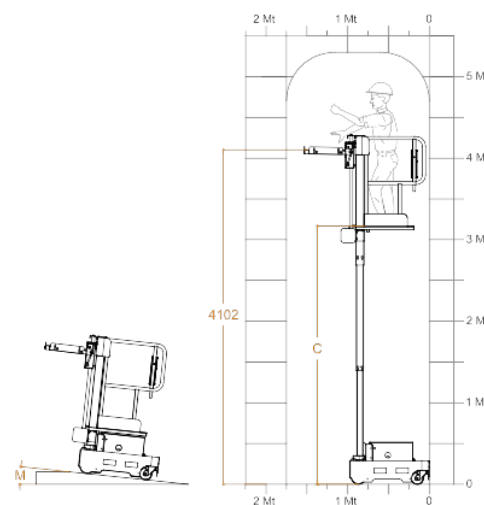


PICKING PLATFORM

I Dimensions	500 mm
L	680 mm
Adjustment	Electrical
J Stroke	720 mm
Min. height from the ground	790 mm
Maximum height from the ground	4102 mm
Capacity	100 kg

PERFORMANCE

Power supply	Electrical 24 V
Batteries	2 Trojan Lead-Acid 12V 105 Ah
Battery charger	110V – 230V 50/60HZ
M Maximum climbing ability	15%
Climbing ability at height	2,5%
Internal turning radius	0
External turning radius	2100 mm
Max. speed (rising – descending)	0,2 m/s
Maximum speed (with basket on the ground)	4,5 km/h
N Maximum pressure for wheel at full load**	3,10 kN
Work cycles (with fresh batteries) ***	100



* There is an intermediate step.

** Maximum pressure whereas the weight of the platform plus the maximum load on the basket are completely distributed on one side of the platform (totally asymmetric load).

*** By work cycle we mean a self-propelled movement of 20 m with a full ascent to and descent from the maximum height and with adjustment of the loading platform.

CE Complies with European regulations for man-up forklift trucks. UNI EN ISO 3691-1.